

## Lenticular Filter

- ☑ Sealed Modular System
- ☑ Deep filtration technology
- ☑ low cost
- ☑ 304 food grade stainless steel
- ☑ Safe and reliable



## Details

Stainless Steel  
The Filter  
In-Outlet



## 6 key Updates

Lenticular Filter is a new type of stacks filter, can be used in place of diatomite filter, for tiny impurities in varied kinds of liquid filtration, clarification, purification.



Low in / out



Easy to clean



Suitable for tiny impurities



Reliable



Four filter cakes as standard



Stainless steel or  
SS304 / SS316

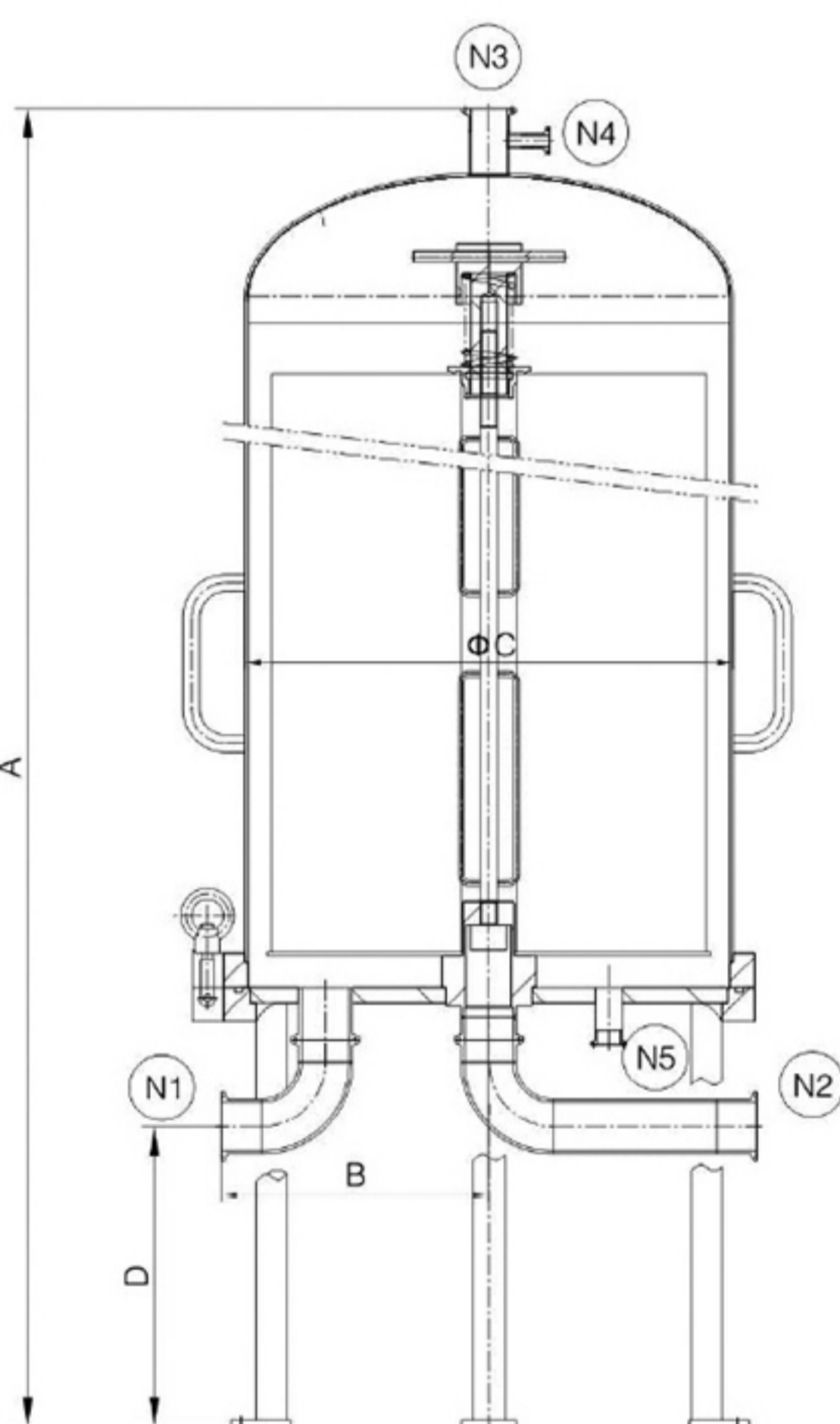
## Technical Parameters

Shell	Stainless Steel 304 306L
Pressure Gauge(option)	Tri-clamp
Vent/Drain Valve	304 306L
Drain Valve(option)	Tri-clamp
Eyebolt	Stainless Steel 304
Finished Type	Mechanical/electrolytical polishing
O-ring	EPDM,PTFE,Viton,Silicone
Max Operating Pressure	0.6Mpa
Connection of Shell	Flange
Max Operating Temperature	150°C
In-Outlet	Flange, Tri-clamp, Thread
Disinfect	Online or Steam Sterilization: 121°C/30min

The structure is designed and manufactured according to the health level, internal is no dead corner and mirror polishing, it ensure no residual liquid and easy to clean.



## Structure



- ☑ Microbe and solid filtration of alcohol, syrup, beer.
- ☑ End filtration of fruit juice and juice concentrate.
- ☑ Pre filtering of juice membrane filtration,
- ☑ Clarification of alcohol, enzyme dissolution, liquid gum, olive oil.
- ☑ Pharmaceutical, chemical, electronic filtration.

## Pressure Gauge

The stainless steel pressure gauge displays the pressure in the tank in real time



**Application**