



HYDROTHERMAL SYNTHESIS

REACTOR

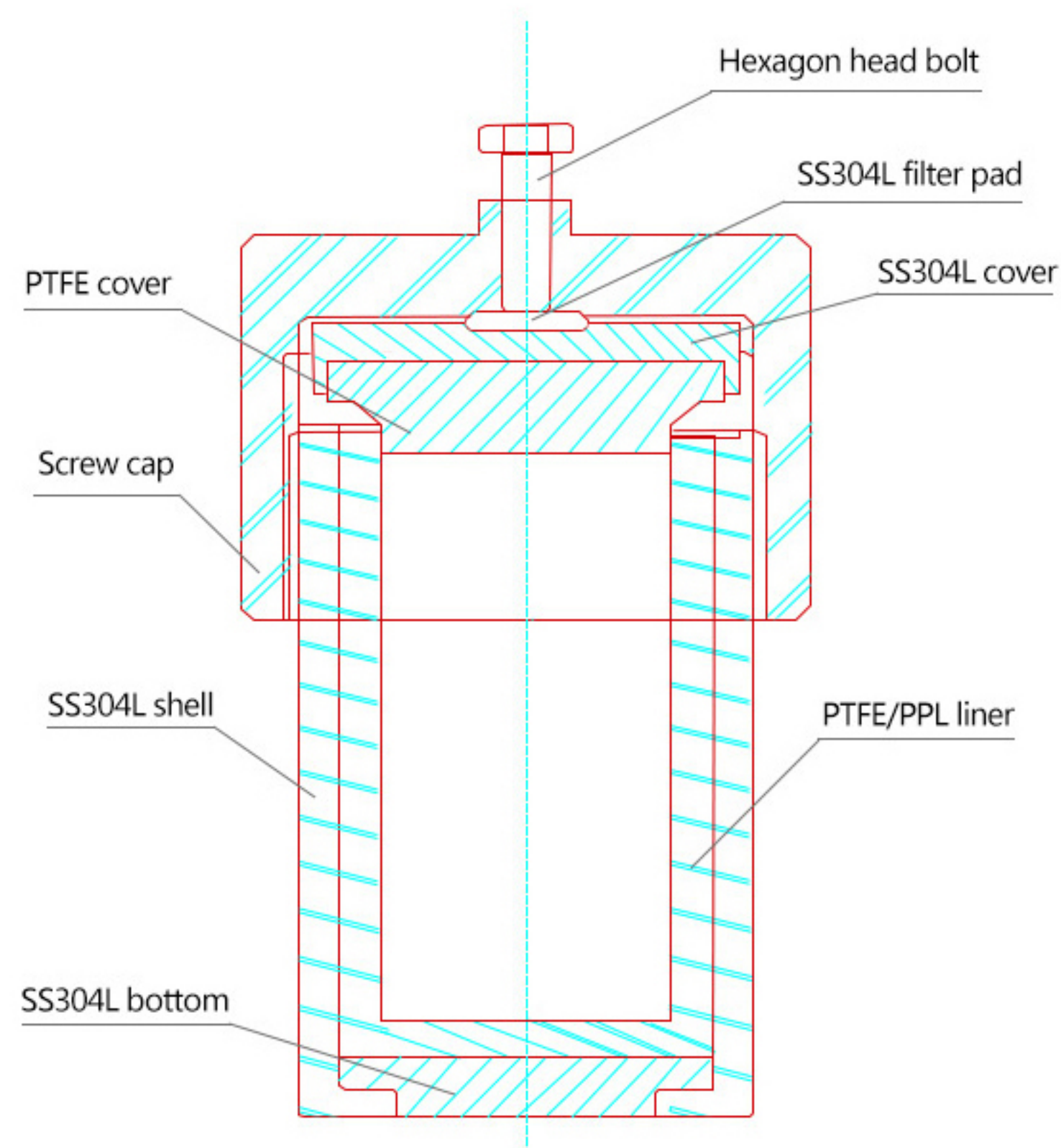


COMPONENTS



TECHNICAL PARAMETER

Model	KH-15	KH-25	KH-30	KH-50	KH-100	KH-150	KH-200	KH-250	KH-300	KH-400	KH-500	KH-1000
Material	Kettle body is stainless steel, the liner is PTFE or PPL.											
Capacity(mL)	15	25	30	50	100	150	200	250	300	400	500	1000
Pressure(MPa)	Less than 3											
Temp.(°C)	240/280/300											



HYDROTHERMAL SYNTHESIS AUTOCLAVE OPERATING



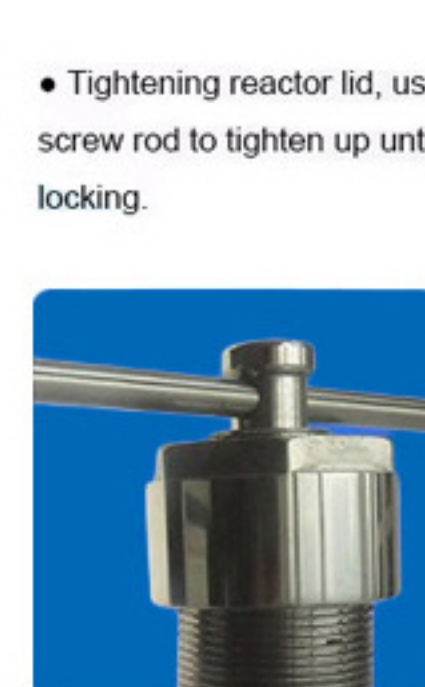
- Pour reaction material into PTFE / PPL liner. Charging coefficient < 0.8.



- Reactor lower gasket's salient surface is downward.



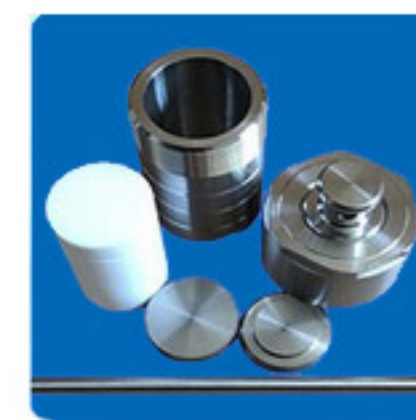
- Put in PTFE / PPL liner and upper gasket.



- Tightening reactor lid, use screw rod to tighten up until locking.



- Ensure reactor inner temp. < reaction solvent boiling point.
- Then could use screw rod to open reactor lid.



- Please clean reactor when every time reaction finish, avoid corrosion.



- Place reactor in heating apparatus to heat.
- Safe temperature: PTFE lined 220°C, PPL lined 280°C.

- After reaction finish, please cooling stric according to standard rate of temperature fall.
- Guarantee safe operation and reactor is service lifetime.

